

## DESCRIPTION

BACHFIRE CONFLEX EI 120 is an Automatic Fire Curtain that in case of fire, limits and controls the fire on conveyor belts, minimizing not only radiation emission but also heat transfer, creating isolation from the fabric so that protection of people and goods is maximized, with classification EI 120.

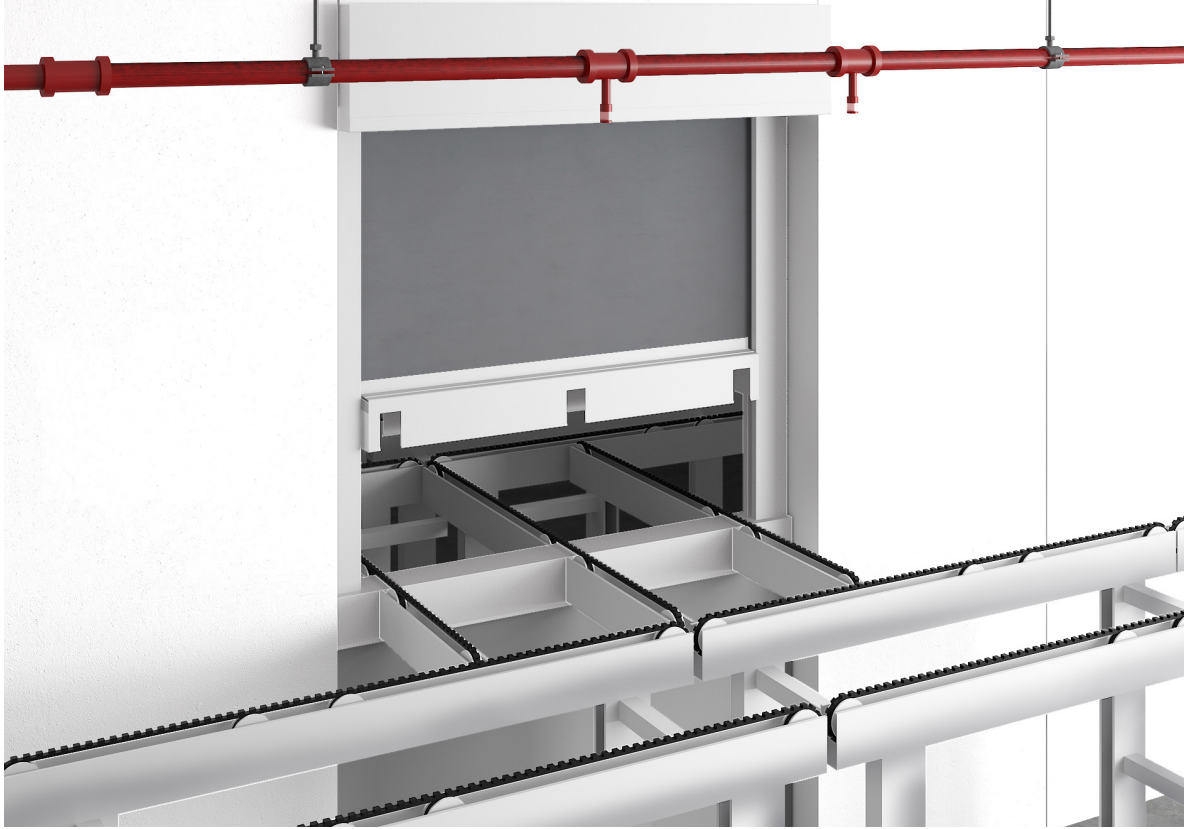
The curtain is composed of fibreglass fabric coated on both sides and seamed with reinforced steel wire and fixed to a steel roller of 78 mm in diameter. Galvanized steel elements such as headbox, side guides and bottom bar (adaptable depending on the belt type). Irrigation system through a sprinklers system.

All the system is driven by a 24 V tubular motor and controlled by an electronic board, CRM (Control and Regulation for Motor) with Special Gravity Failsafe System. The control panel for automatic curtains (CBM), with a nominal input voltage of 220 V and output voltage of 24 V. Uninterruptible Power Supply (UPS System) with autonomy up to 6 hours.

Tested and approved according to the European Standards UNE EN 1366-7:2006.

## CLASSIFICATION

EI 120



# bachfire conflEx

## OPERATION

The system can be activated by a SHEV, fire alarm contact, internal fire and smoke detection devices, or manual emergency buttons. In the event of a fire, the Control Panel (CBM), receives the signal alarm, and the automatic curtain deploys automatically, with the controlled and safe constant speed of descent even following total power loss on all curtains. A solenoid valve connected to the control panel can activate the irrigation system. If there is a false alarm the curtains return to the standby position automatically after resetting the alarm from the main Fire Management Systems. In case of main power loss, the curtain will remain fully retracted for up to 6 hours thanks to the battery backup system.

## SYSTEM ADVANTAGES

- Hidden fire partitioning and sectorization system;
- Perfect combination between architecture and security against fire;
- Integrated system with the central fire detection system;
- Easy installation and maintenance;
- Gravity failsafe system;
- Low consumption;
- Battery backup power supply;
- Obstacle control system (optional).

## FABRIC

BACHFIRE TEX 1000/02: fibreglass fabric resists up to 1,100°C.  
Grey colour.

## HEADBOX

Galvanized Steel head box 1.2 mm thickness.

## SIDE GUIDES

Galvanized Steel of 1.5 mm thickness.  
**Dimensions:** 80 x 50 mm.

## ROLLER

Galvanized steel roller:  
**Thickness:** 1.2 mm;  
**Diameter:** 78 mm.

## **BOTTOM BAR**

Adaptable to the conveyor belt.

## **ELECTRIC MOTOR**

**Tubular motor:** 24 V.  
**Maximum power:** 24 W.  
**Maximum current:** 3 A.  
**Angular speed:** 21 rpm.

## **CRM MOTOR REGULATION BOX**

Polyester box with an electronic board inside to control the movement of the motor.  
**Dimensions:** 140 x 180 x 75 mm.

## **CBM CONTROL PANEL**

Receives the alarm signal from the Central Fire Detection System and controls the movement of curtains.  
**Dimensions:** 400 x 300 x 210 mm.  
**Input:** 220 V 50Hz.  
**Output:** 24 V.  
**Battery:** 2 x 12 V 7.5 Ah rechargeable (up to 6 hours autonomy).  
Visual and acoustic alert system.  
Maximum capacity up to 12 motors.

## **IRRIGATION SYSTEM PANEL**

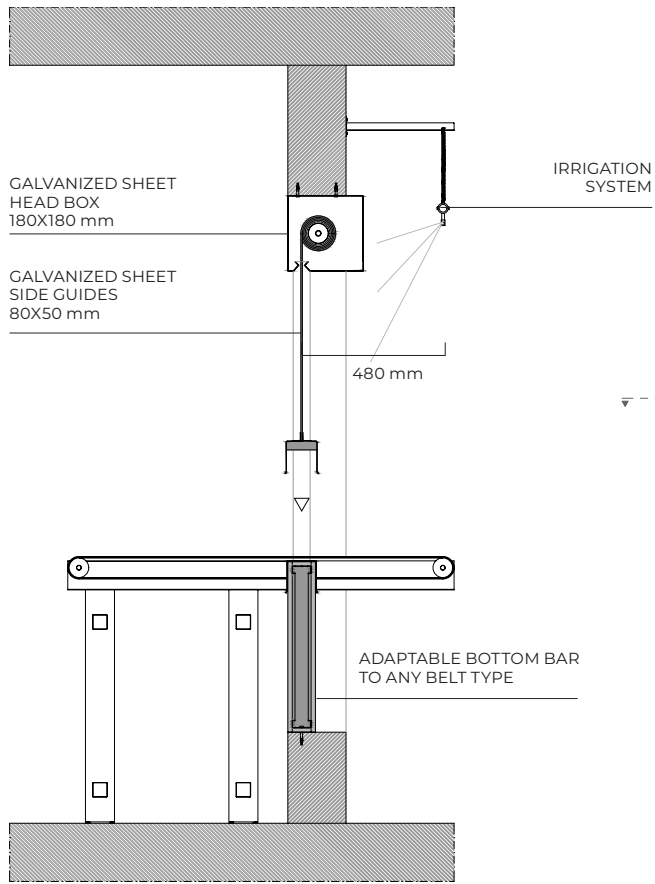
A solenoid valve connected to the control panel can activate the irrigation system with a delay of 3 minutes. The number of sprinklers depends on the area of each system. The fluid conditions are the following:  
**Pressure**  $\geq$  2.5 bar;  
**Q** = Nominal water flow accordingly the system dimensions.

## **AVERAGE SPEED**

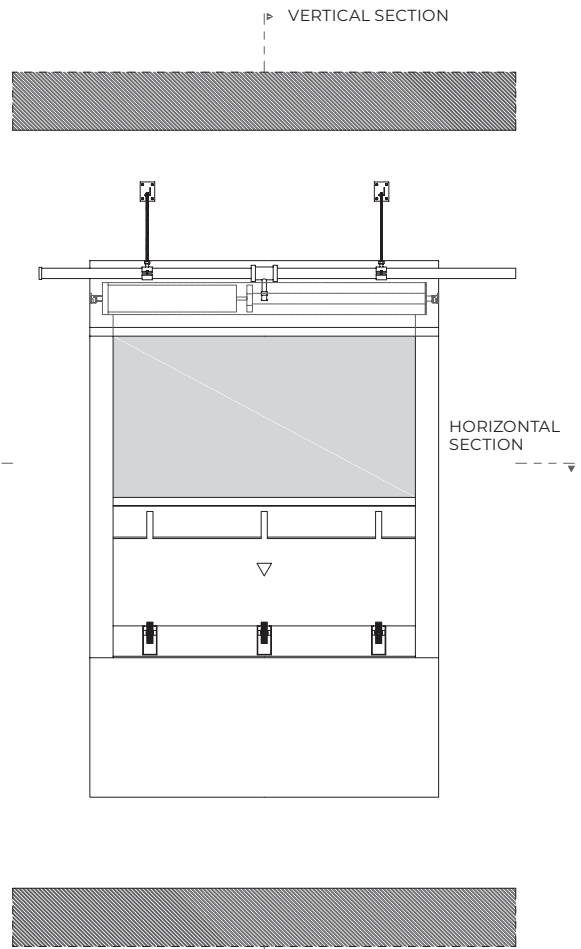
Between 0.06 and 0.15 m/s.

## **OPTIONAL EXTRAS**

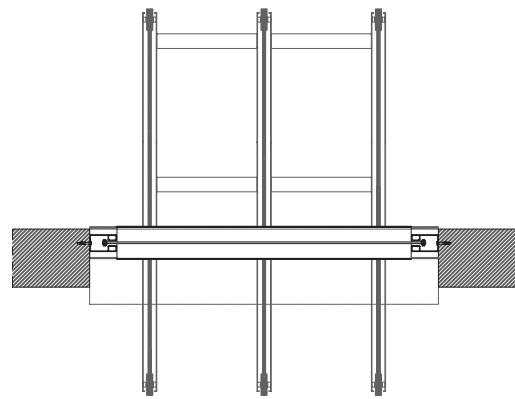
Obstacle control system.



**SIDE VIEW**



**FRONT VIEW**



**PLAN VIEW**