

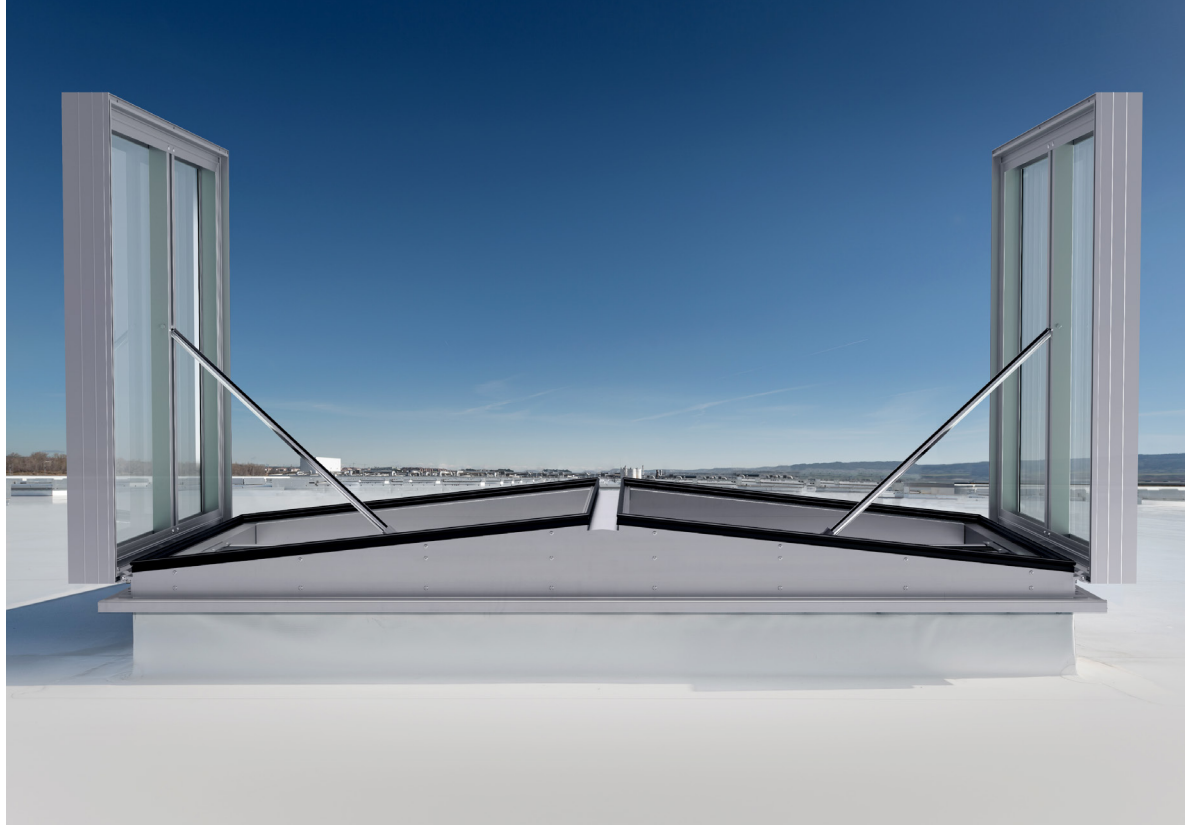
## PRODUCT FEATURES

DELTA TG is a double flap smoke vent suitable for the removal of large quantities of warm air and / or smoke from a building within a short period of time, daily ventilation and natural lighting. Suitable for utilization on various kerbs and domes. The vents are manufactured according to ISO 9001 quality control standards and comply with the European requirements for NSHE according to EN 12101-2. Endurance tests with 10,000 opening and closing cycles have proven its robust and functional design.

The vents are formed from high quality corrosion resistant aluminium to ensure low maintenance requirements and watertightness.

Various methods of operation using pneumatic or electric actuators are available. Available on large dimensions, up to 2000 x 2000 mm (width x length).





## TYPICAL APPLICATIONS

Can be installed either into roofs or barrel vault daylighting systems. Particularly suitable for warehouses, logistics centres, production environments and industries.

## MATERIALS

Tempered aluminium, sea water and corrosion resistant (EN AW 5754).  
Corrosion resistant bearings.  
Sealant applied so that there is no freezing, enabling the equipment to have low air permeability at the same time.

*Note: aluminum is supplied untreated as standard. Possibility of being supplied with electrostatic painting (in any RAL color).*

## DIMENSIONS

**Roof opening width:** 1000 - 2000 mm.  
**Roof opening length:** 1000 - 2000 mm.

## OPENING ANGLE

Open angle from 0° up to 90°.

## CONTROLS NATURAL VENTILATION

**P2:** double pipe compressed air operation.  
**M230V:** electric motor.

## CONTROLS FIRE VENTILATION

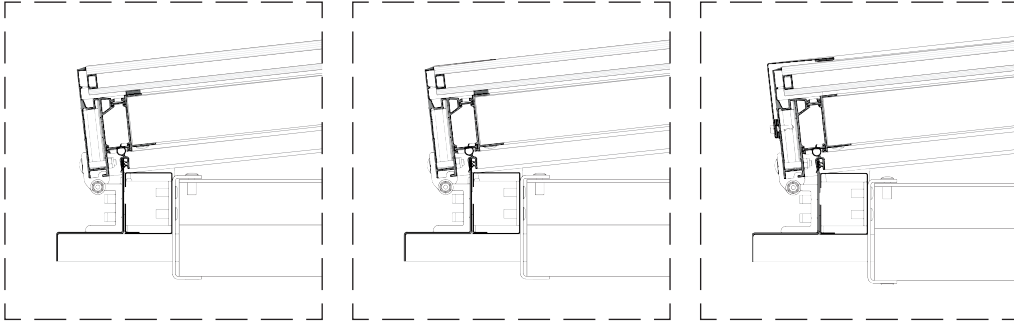
**P2F:** double pipe compressed air operation with fire function.  
**M24V:** electric motor.

## FLAPS

Double glazing up to 30 mm thickness.

## BASES

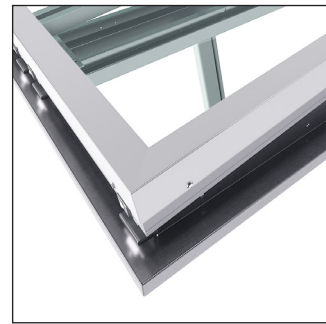
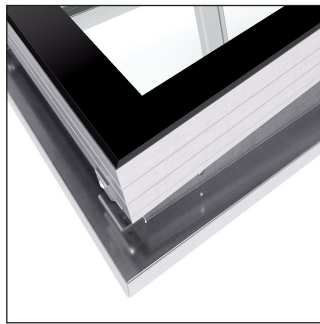
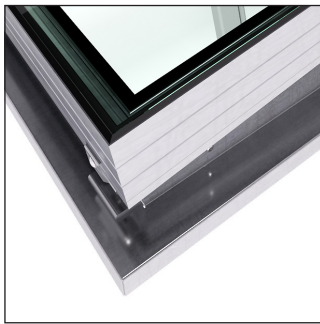
Double wall aluminium with insulation and TB, thermal break in the aluminium base.



**DETAIL 01**  
standard profile

**DETAIL 02**  
black printing glass screen

**DETAIL 03**  
extra finishing profile



## FLANGES

- S1** Flange for single glass.
- S2** Flange for double glass.
- S3** Flange for roofs, 45° bended.
- S4** Flange for roofs and facades.
- S5** Flange for upstand, 90° bended downwards.
- S6** Flange 90° bended upwards.
- SLS** Flange for skylight connection, for different polycarbonate thicknesses.
- SC** Flange for connection with other flange (vents connection). Male or female connection.
- SCM** Flange for male connection.
- SCF** Flange for female connection.

*Note: custom flange design and insulated flanges upon request.*



**S1**



**S2**



**S3**



**S4**



**S5**



**S6**



**SLS**



**SC**



**SCM**



**SCF**

## WEIGHT

Depends on dimensions and type materials.

## OPTIONS

Custom dimensions.  
 Powder-coated design (any RAL colour).  
 Bird or insect mesh.  
 Anti-fall grid 1200 J.

## REGULATIONS

The system has been tested and is certified in accordance with EN 12101-2.

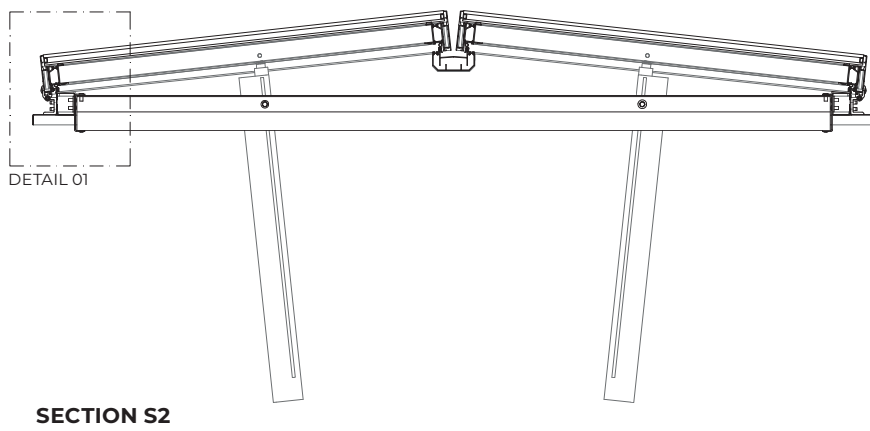
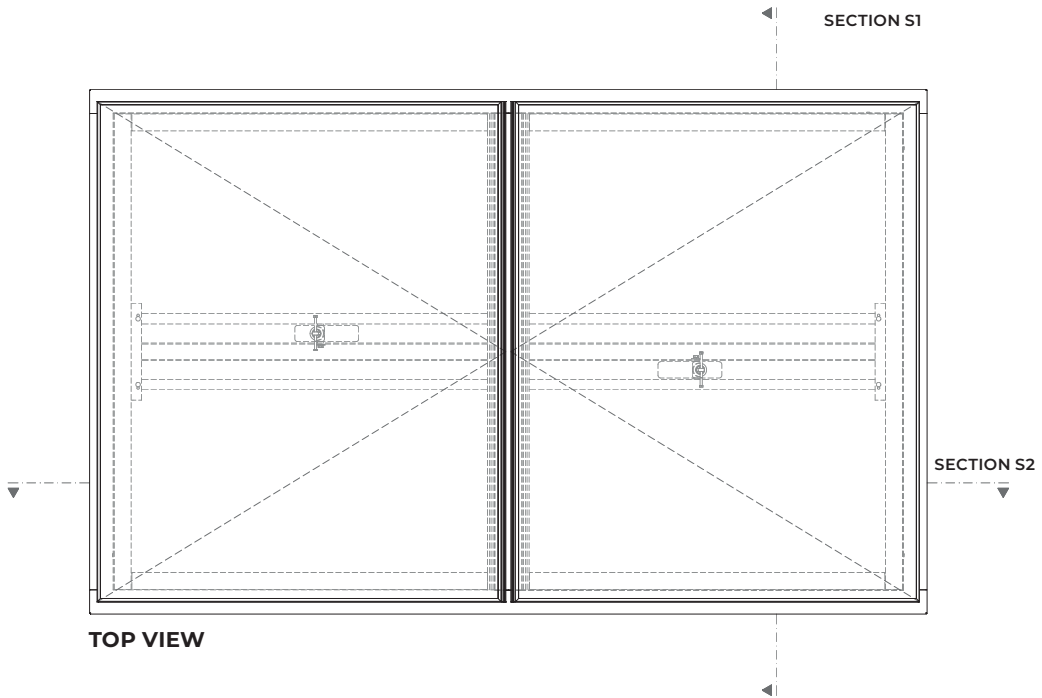
## STANDARD INTERIOR DIMENSIONS

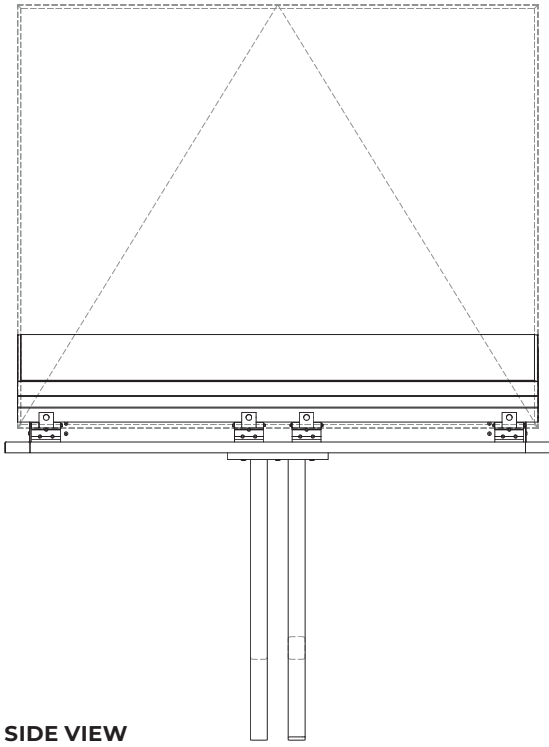
TYPE	1010	1015	1020	1510	1515	1520
WIDTH (mm)	1000			1500		
LENGTH (mm)	1000	1500	2000	1000	1500	2000

TYPE	2010		2015		2020	
WIDTH (mm)	2000					
LENGTH (mm)	1000		1500		2000	

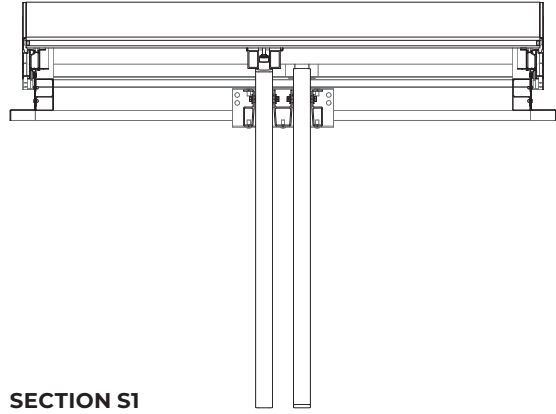
**DIMENSION DRAWING FOR DELTA TG INSTALLATION**

WIDTH	DRIVE	X	Y	Z
1000 - 1700	P2F - 575	427	660	162
	M24V - 575	427	630	-
1701 - 2000	P2F - 800	598	890	162
	M24V - 800	598	830	-

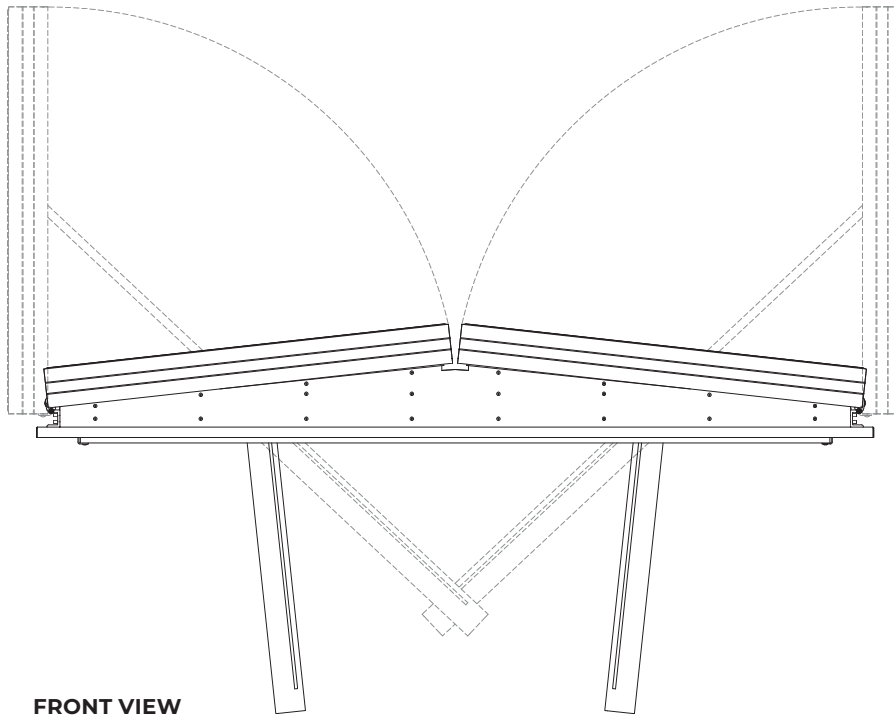




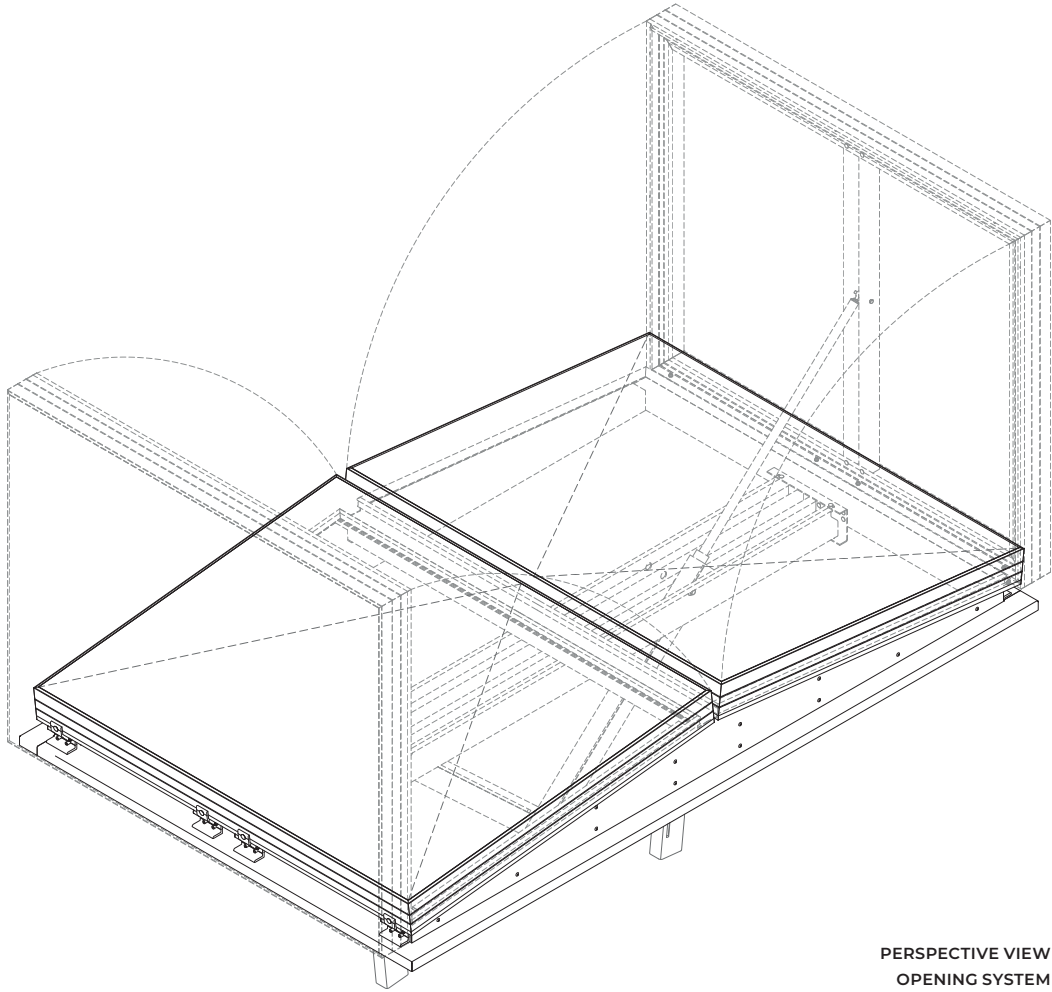
SIDE VIEW



SECTION S1



FRONT VIEW



PERSPECTIVE VIEW  
OPENING SYSTEM