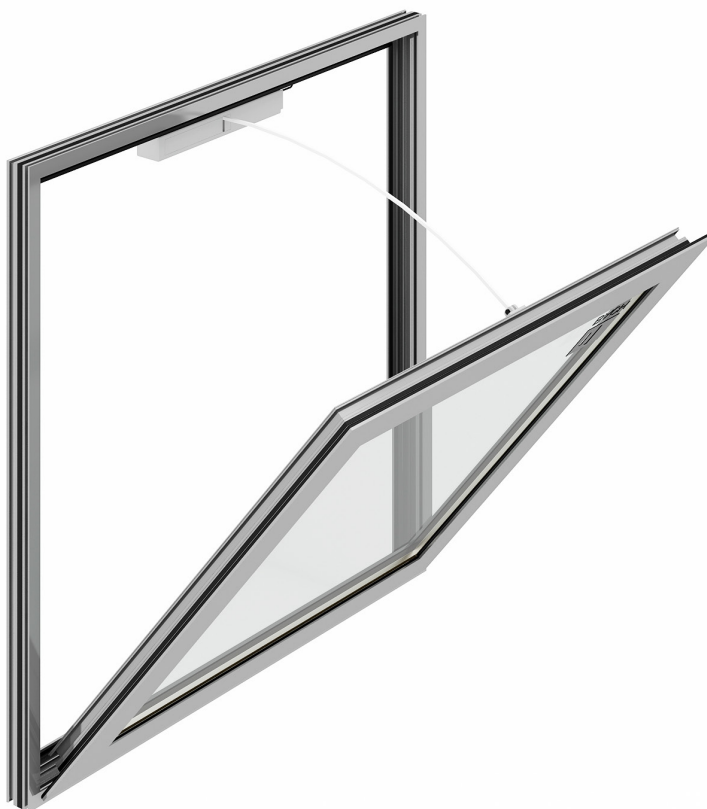


## PRODUCT FEATURES

DEVEA is a thermally broken natural ventilation window suitable for natural day to day ventilation and smoke control for installation on vertical facades. It has a slim structure, a compact construction and excellent aesthetics. Possible glazing from 4 to 32 mm. Various opening systems are available.





davea

## TYPICAL APPLICATIONS

Particularly suitable for applications on facades. Installations: shopping centres, atria, offices, among others. Special profiles can be adapted for wall curtain systems or others as opening masonry.

## MATERIALS

The window structure consists of tempered aluminium. Both the outer frame and flap frame are thermally broken. The frame is sealed with EPDM rubbers.

## DIMENSIONS

Depends on type of profiles. Different profiles are available.

## INSTALLATION ANGLE

The mounting angle is 90°.

## OPENING ANGLE

Depends on dimensions, weight and type of control system.

## AIR, WIND, WATER TIGHTNESS

**Air permeability:** class 4 (600 Pa).  
**Resistance to wind load:** C3 (1200 Pa).  
**Water tightness:** 9A (600 Pa).

## THERMAL INSULATION

U-value down to 1.6 W/m<sup>2</sup>K depending on the frame/vent combination and the glass thickness. Versions with high insulation, HI and HI+, are available.

## ACOUSTIC PERFORMANCE

Rw (C; Ctr) = 40 (-2; -4) dB

## GLAZING POSSIBILITIES

Possible glazing from 4 to 32 mm.

## **CONTROLS**

**M24V:** linear electric drive (for smoke and day to day ventilation).  
**M24V:** chain electric drive (for smoke and day to day ventilation).  
**M230V:** electric drive (for day to day ventilation).

## **WEIGHT**

It depends on dimensions and type of gazing.

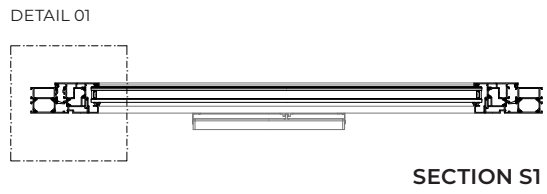
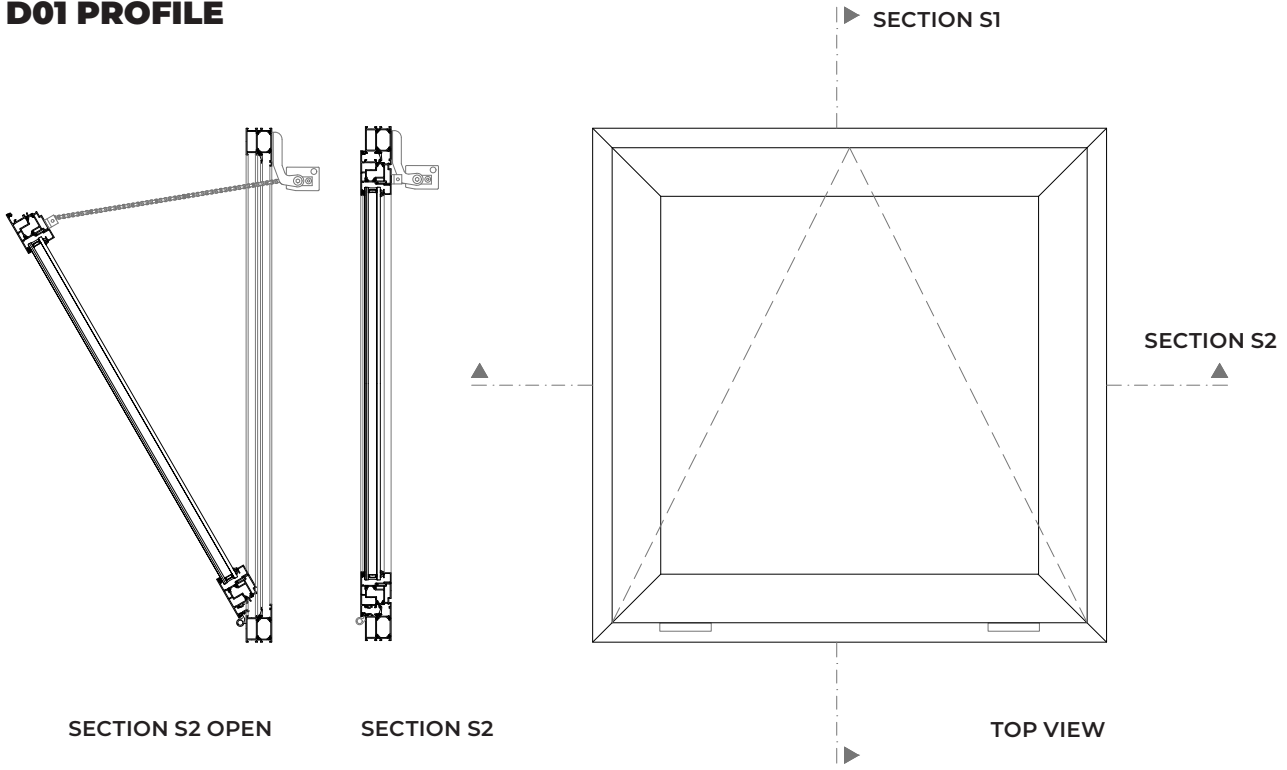
## **OPTIONS**

Custom dimensions  
Powder-coated design (any RAL colour).

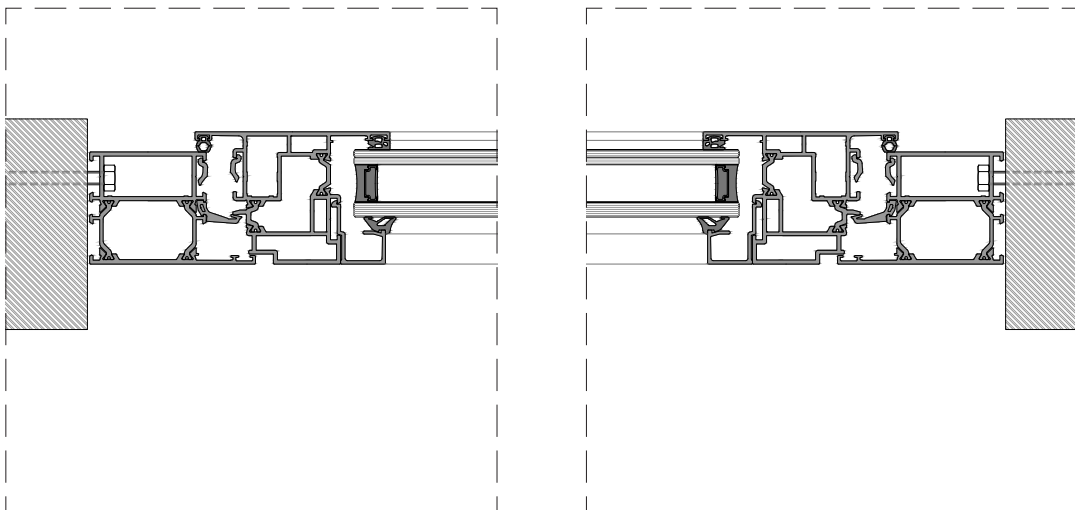
## **REGULATIONS**

The system has been tested and is certified in accordance with EN 12101-2.

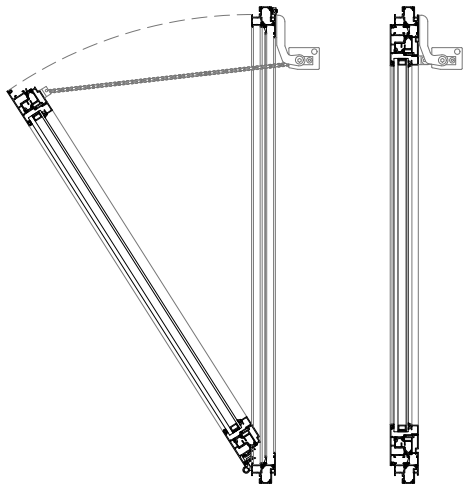
# D01 PROFILE



## DETAIL 01 D01 MASONRY PROFILE

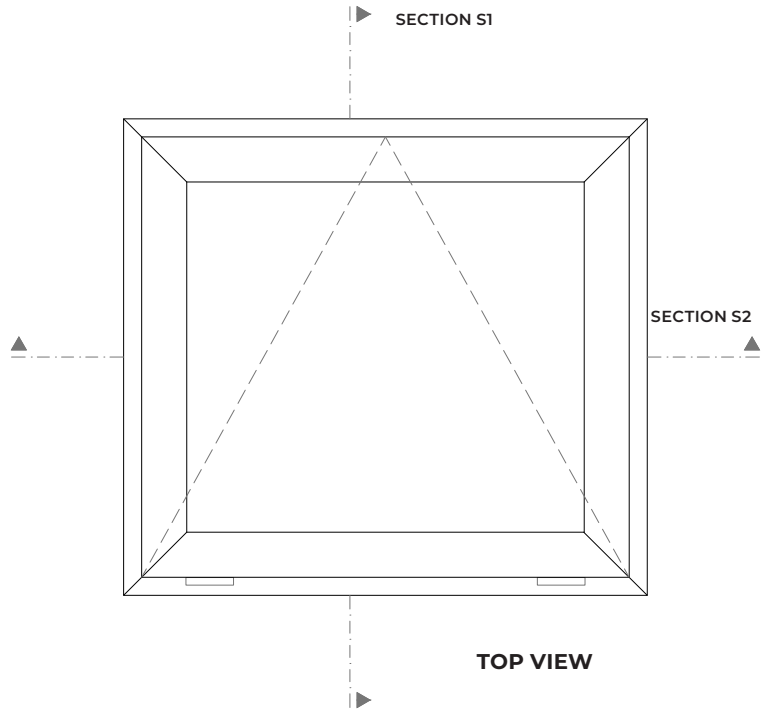


### D02 PROFILE



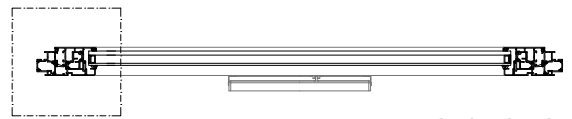
SECTION S2 OPEN

SECTION S2



TOP VIEW

DETAIL 02



SECTION S1

DETAIL 02  
D02 WALL CURTAIN SYSTEM PROFILE

