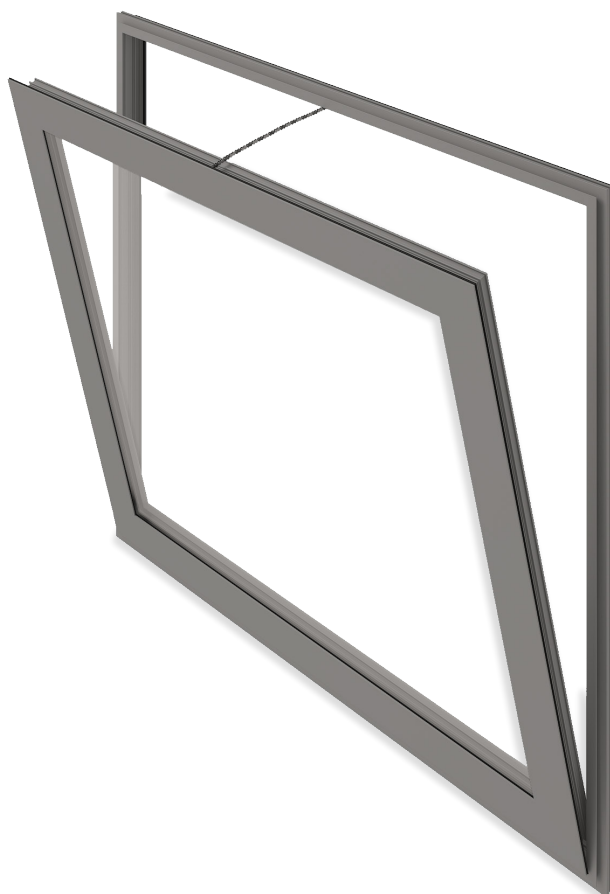


## PRODUCT FEATURES

PERVEA is a thermally broken natural ventilation window suitable for natural day to day ventilation and smoke control for installation on vertical facades. It has a slim structure, a compact construction and excellent aesthetics with the motor fully concealed from view. Possible glazing from 13 to 61 mm. Several electric opening systems are available.





pervea

## TYPICAL APPLICATIONS

Particularly suitable for applications on facades. Installations: shopping centres; atria, offices, etc. Special profiles can be adapted for wall curtain systems or others as opening masonry.

## MATERIALS

The window structure consists of tempered aluminium. Both the outer frame and flap frame are thermally broken. The frame is sealed with EPDM rubbers.

## DIMENSIONS

Depends on type of profiles. Available in different sizes.

## INSTALLATION ANGLE

The mounting angle is 90°.

## OPENING ANGLE

Depends on dimensions, weight and type of control system.

## AIR, WIND, WATER TIGHTNESS

**Air permeability:** class 4 (600 Pa).  
**Resistance to wind load:** C4 (1600 Pa).  
**Water tightness:** E (750 Pa).

## THERMAL INSULATION

U-value down to 1.6 W/m<sup>2</sup>K depending on the frame/vent combination and the glass thickness. Versions with high insulation, HI and HI+, are available.

## ACOUSTIC PERFORMANCE

Rw (C; Ctr) = 42 (-2; -4) dB

## **GLAZING POSSIBILITIES**

Possible glazing from 13 to 61 mm. Other thicknesses are available in combination with other profiles.

## **CONTROLS**

**Hidden motors in aluminium profiles:**

**M24V:** chain electric drive (for smoke and day to day ventilation).

**M230V:** chain electric drive (for day to day ventilation).

## **WEIGHT**

Depends on dimensions and type of materials.

## **OPTIONS**

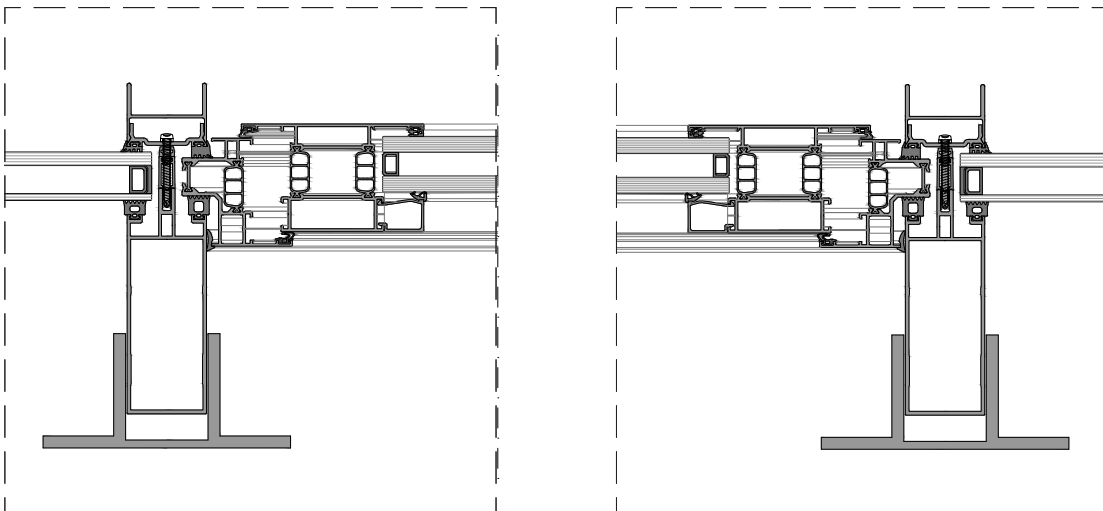
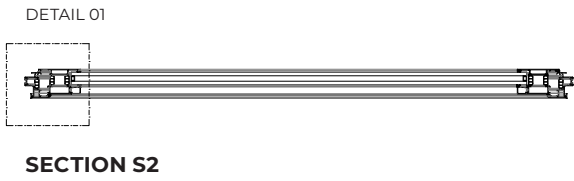
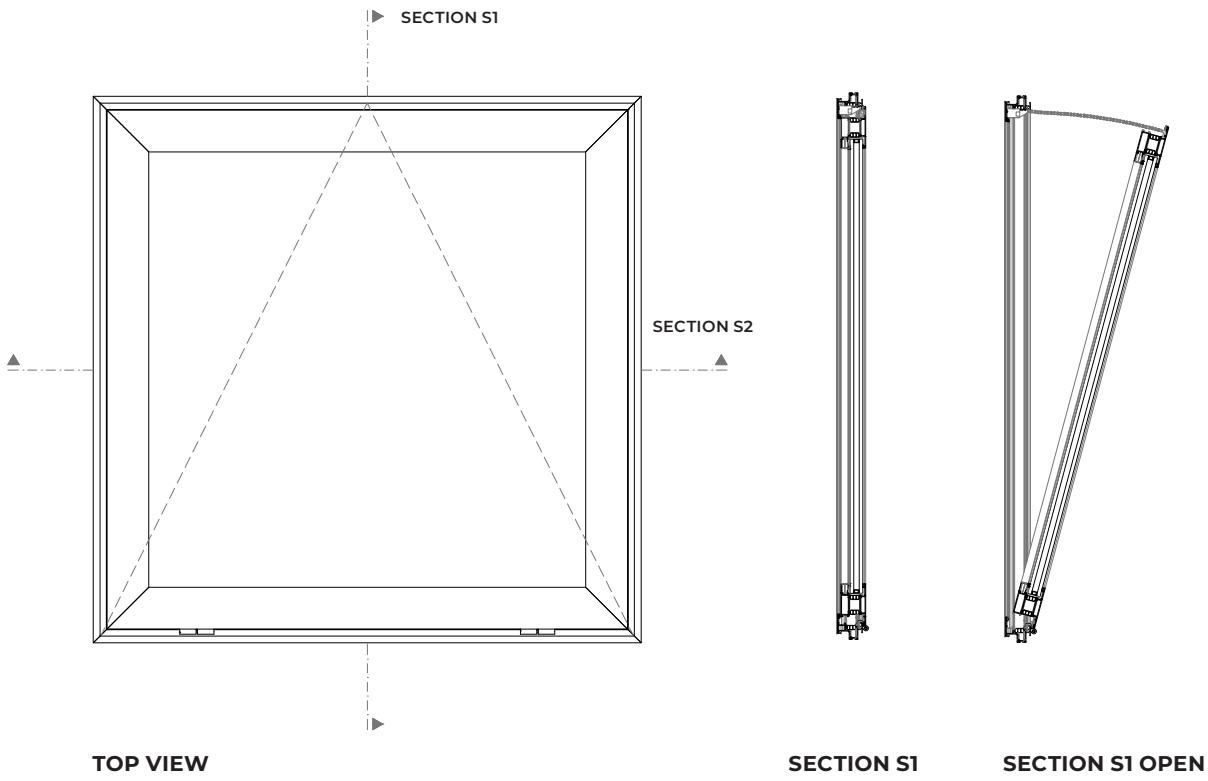
Custom dimensions.

Powder-coated design (any RAL colour).

## **REGULATIONS**

The system has been tested and is certified in accordance with EN 12101-2.

# P01 PROFILE



DETAIL 01  
p01 wall curtain system profile

# P02 PROFILE

