

## PRODUCT FEATURES

VENTRA F is a multi louvred ventilator that provides an economic, nonpowered method of ventilation, allowing the removal of large quantities of warm air and / or smoke from a building within a short period of time. The VENTRA F is suitable for air feed (facade), air extraction (facade) and natural lighting.

The vents are manufactured according to ISO 9001 quality control standards. The vents are formed from high quality corrosion resistant aluminium, to ensure low maintenance requirements and watertightness.

Various methods of operation using pneumatic or electric actuators are available. The ventilator design produces a versatile economic unit suitable for a wide range of applications. Available on large dimensions, up to 2400 x 3804 mm (width x length).





## TYPICAL APPLICATIONS

Versatile scope of applications on facades, with an installation angle close to 90°. Installations: industrial buildings, warehouses, logistics centres, shopping centres, atria, among others.

## MATERIALS

Tempered aluminium, sea water and corrosion resistant (EN AW 5754).  
Corrosion resistant bearings.  
Built-in weather resistant hydrophobic tape.

*Note: aluminum is supplied untreated as standard. Possibility of being supplied with electrostatic painting (in any RAL color).*

## DIMENSIONS

**Facade opening width:** 300 - 2400 mm.  
**Facade opening length:** 737 - 3804 mm (17 louvres, max.).

## OPENING ANGLE

Open angle from 0° up to 90°.

## CONTROLS NATURAL VENTILATION

**P1:** single pipe compressed operation.  
**P2:** double pipe compressed air operation.  
**M230V:** electric motor.

## CONTROLS FIRE VENTILATION

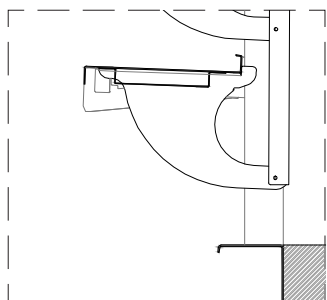
**P1F:** single pipe compressed air operation with fire function.  
**P2F:** double pipe compressed air operation with fire function.  
**M24V:** electric motor.

## LOUVRES

- AL** Single aluminium.
- AL ISO** Double insulated aluminium.
- PC16** Polycarbonate 16 mm, clear or opal.
- PC25** Polycarbonate 25 mm, clear or opal.
- GLASS** Single or double glass.

## BASES

Single aluminium.  
Possibility of insulated flange.

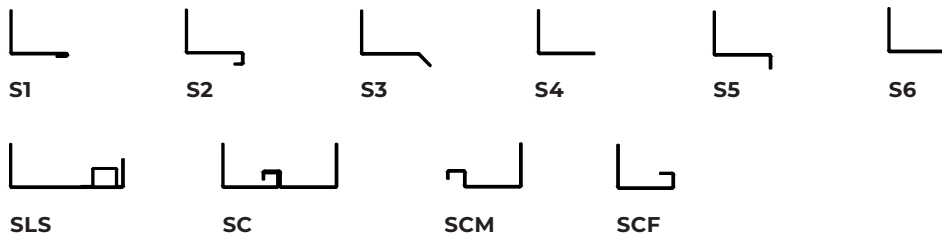


**DETAIL 01**  
single aluminium

## FLANGES

- S1** Flange for single glass.
- S2** Flange for double glass.
- S3** Flange for roofs, 45° bended.
- S4** Flange for roofs and facades.
- S5** Flange for upstand, 90° bended downwards.
- S6** Flange 90° bended upwards.
- SLS** Flange for skylight connection, for different polycarbonate thicknesses.
- SC** Flange for connection with other flange (vents connection). Male or female connection.
- SCM** Flange for male connection.
- SCF** Flange for female connection.

*\* Custom fanges design and insulated flanges available upon request*



## WEIGHT

Depends on dimensions and type of materials.

## OPTIONS

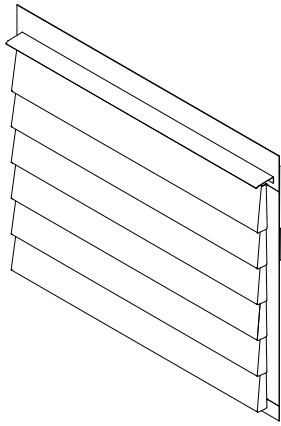
Custom dimensions.  
Powder-coated design (any RAL colour).  
Bird or insect mesh.

## REGULATIONS

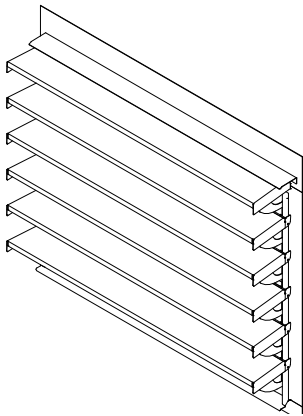
The system has been tested and is certified in accordance with EN 12101-2.

## DIMENSIONS/ LOUVRES TABLE

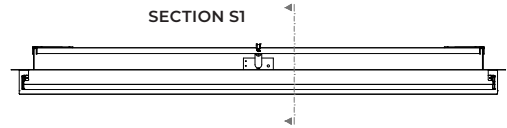
NUMBER OF LOUVRES	3	4	5	6	7	8	9	10	11	12	13	14	15	16	17
	LENGTH (mm)														
WIDTH (mm)															
300															
600															
1000	737	944	1164	1384	1604	1824	2044	2264	2484	2704	2924	3144	3364	3584	3804
...															
1800															
2000															
2400															



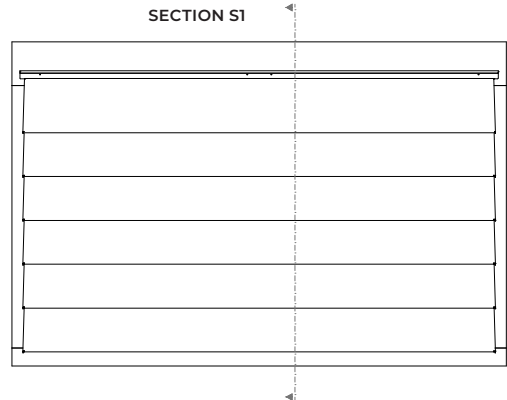
PERSPECTIVE VIEW CLOSED



PERSPECTIVE VIEW OPEN

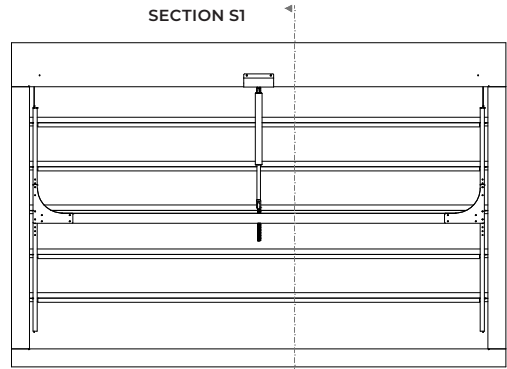


SECTION S1



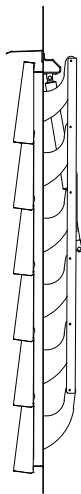
SECTION S1

FRONT VIEW CLOSED

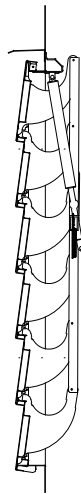


SECTION S1

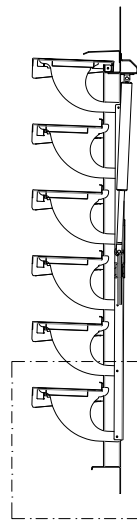
BACK VIEW CLOSED



SIDE VIEW CLOSED

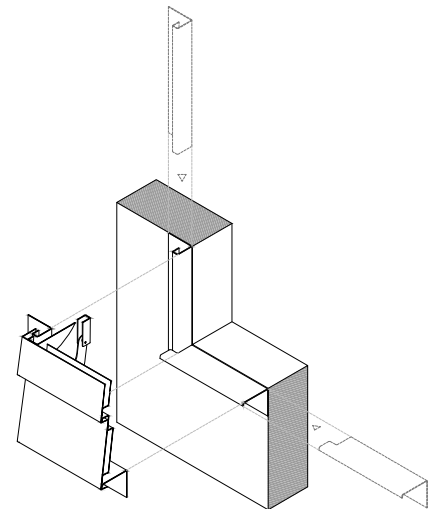


SECTION S1 CLOSED



SECTION S1 OPEN

DETAIL 01



BASE ASSEMBLY PERSPECTIVE